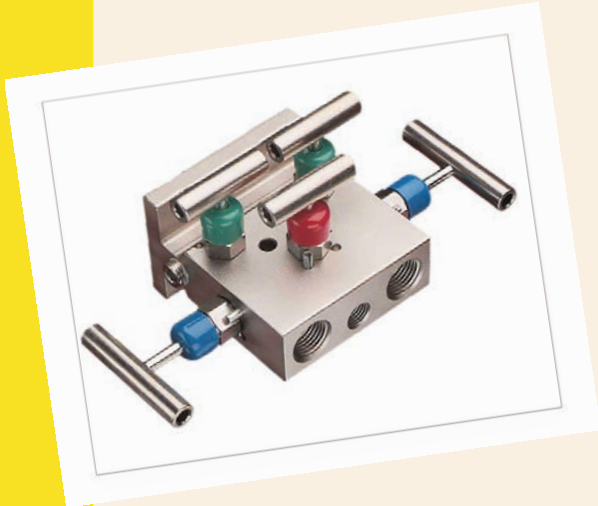


T-type 5 Way Manifold

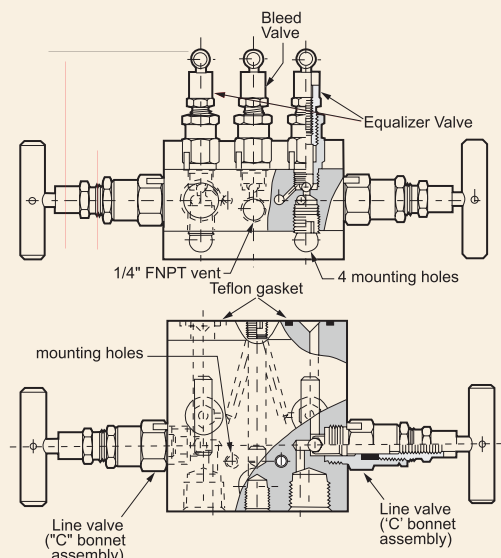
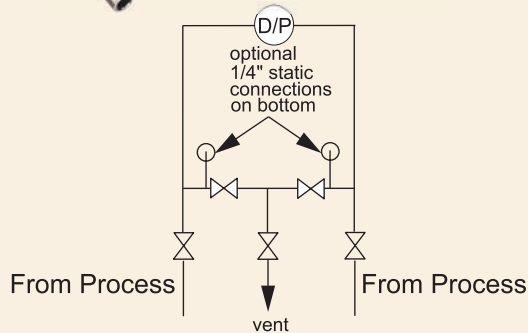


Specifications:

Max.Working Pressure	6000PSI/400Bar
Max.Working Temperature	200° C
Material of Constructions	SS/CS
Process Connections	½ " NPT (F)
Instrument Connections	Flanged
Drain	¼ " NPT (F)
Gland Packing	PTFE

Applications:

This type of manifold is used for Differential pressure application. The fanged valve outlet is bolted directly to the pressure transmitter body. It has two isolation valves, one equalizer and two vent/calbration valves.



SPINK CONTROLS ®

Phone:91-22-2532 8223/24

Email:info@spinkcontrolsindia.com

www.spinkcontrolsindia.com

1A, VILAS APPT, SANT TUKARAM PATH,
KOPRI, THANE (E) 400 603, MAHARASHTRA