

H-type 3 Way Manifold

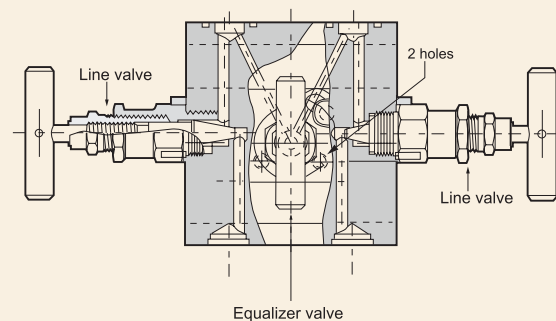
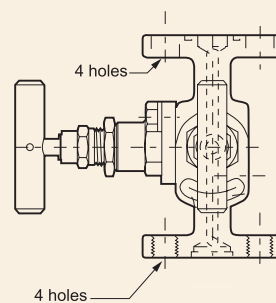
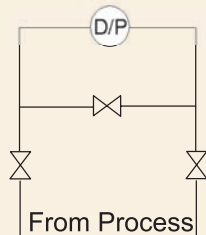


Specifications:

Max.Working Pressure	6000PSI/400Bar
Max.Working Temperature	200° C
Material of Constructions	SS/CS
Process Connections	Flanged
Instrument Connections	Flanged
Drain	1/4 " NPT (F)
Gland Packing	PTFE

Applications:

This type of manifold is used for Differential pressure application. The fanged valve outlet is bolted directly to the pressure transmitter body. By bolting standard football fanges to the manifold inlet, the complete assembly can be close coupled to orifice fange taps using eccentric solid bar stock nipples.



SPINK CONTROLS

Phone:91-22-2532 8223/24

Email:info@spinkcontrolsindia.com

www.spinkcontrolsindia.com



1A, VILAS APPT, SANT TUKARAM PATH,
KOPRI, THANE (E) 400 603, MAHARASHTRA