

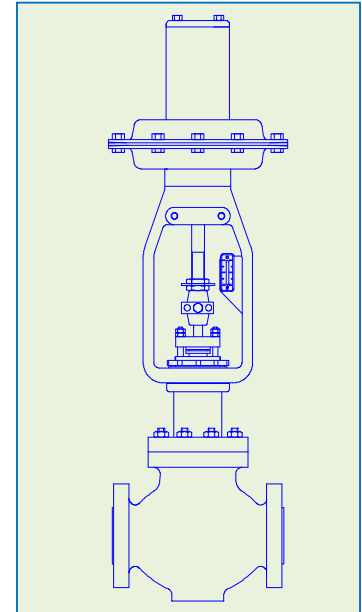
GLOBE 2 WAY CONTROL VALVE SERIES - 110

INTRODUCTION

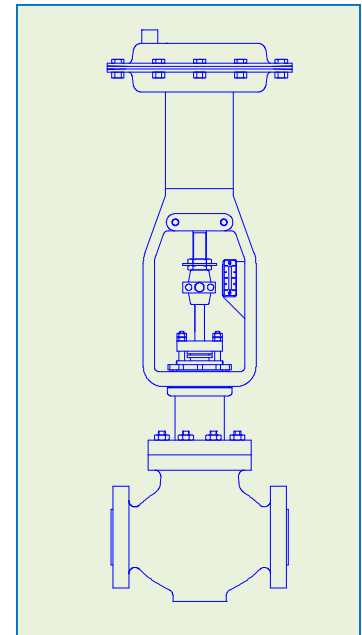
This type of Valve with its classic globe body shape, which reflects its name, uses the variable area generated between the plug and seat to control fluid flow. It is very versatile offering reduced trim options as well as a variety of special trims for severe high pressure drop applications. This style of valve is easily adapted for use on cryogenic temperatures and for high temperature duties. This valve is preferred for tight shut – off, positioning accuracy, high rangeability and simplified maintenance, satisfy the majority of control valve applications throughout the process and power industries in control of Air, Steam, Water, Gas, Chemicals etc.

SPECIFICATIONS

DESIGN	: ASME B16-34
VALVE SIZE	: 15 to 450 mm (1/2" to 18")
RATING	: ANSI 150 to 2500 or Equivalents to BS, DIN, etc.
FACE TO FACE	: ISA S.75.03 1985 up to 600 ISA S.75.16 900 and above
END CONNECTION	: Flanged, Screwed, Butt Weld, Socket weld.
BODY MATERIALS	: Carbon Steel, Chrome-moly Steel, Stainless Steel, Monel, Alloy20, Hastelloy B/C, PP, Teflon etc. : Teflon Lined / Teflon Metal Housed
BONNET	: Standard upto 250°C : Normalizing (Finned) between 250°C to 500°C : Extended cold service - 20°C to - 200°C : Extended Bellows seals.
GLAND PACKING	: Grafoil / PTFE V Rings.
TRIM DESIGNS	: Top Guided Contoured, Splined Micro Flow, V-Ported (Balanced / Unbalanced), Low Noise (LN1, LN2, LN3, LN4)
TRIM MATERIALS	: Stainless Steel, Alloy20, Monel, Hastelloy B/C, Stellite (Alloy 6)
CHARACTERISTICS	: Equal Percentage, Linear and Quick Opening.
SEAT LEAKAGE	: As per FCI-70-2 (ANSI B 16.104) Class III, IV, V and VI (STANDARD LEAKAGE RATES) Metal to Metal Seating Class IV, Less than 0.01% of rated Cv. Metal to Soft Seating – Bubble tight (Zero Leakage)
ACTUATOR TYPE	: Diaphragm, Cylinder or Electric.
ACTUATOR ACTION	: Direct / Reverse Acting.
DIAPHRAGM	: Nitrile / Neoprene.
SPRING RANGES	: 3 – 15 PSIG (0.2 – 1.0 Kg/cm ²) : 6 – 30 PSIG (0.4 – 2.0 Kg/cm ²)
AIR SUPPLY	: 20 – 35 PSIG (1.4 – 2.5 Kg/cm ²)
AIR CONNECTION	: 1/ 4" or 1/ 2" NPT
HANDWHEEL	: Top or Side Mounted Handwheel
ACCESSORIES OPTIONAL	: Valve Positioner - Pneumatic , Electro Pneumatic, Smart Positioner, Airset, Solenoid Valve, Air Lock, Volume Booster, I/P Converter, Position Transmitter, Limit – Proximity Switches etc. Removable Blind Head, Steam Jacketing, etc.



**CONTROL VALVE WITH
REVERSE ACTUATOR**



**CONTROL VALVE WITH
DIRECT ACTUATOR**

DESIGN FEATURES

- >> High flow capacity and rangeability.
- >> Large variety of Trim design.
- >> Top opening for easy trim inspection without disturbing insulation or piping connection.
- >> Tight closing for reliable control even when changes in pressure / temperature are sudden and extreme.
- >> Bolts located outside of the piping stress area to eliminate gasket crush problems, reducing downtime.
- >> Wide selection of actuators to meet most system requirement.
- >> Rigorously proven on-site performance.

QUALITY AND PERFORMANCE GUARANTEE

- >> Produced with Quality Systems accredited to ISO 9001 : 2008 by Bureau Veritas and “CE” in accordance to Pressure Equipments Directive and Regulations by Lloyd’s Register.
- >> Full material certification available for all major component Parts.
- >> Full guarantee on design and Performance.
- >> All testing performed to the requirements of ANSI B16.34.

RANGEABILITY

The Inherent rangeability of Pneucon standard trims is as given under.

TRIM SIZE		STANDARD RANGEABILITY	
		CONTOURED	LOW NOISE RANGE
ins	mm		
1/2 and 3/4	15 and 20	40 : 1	35 : 1
1 to 3	25 to 80	55 : 1	50 : 1
4 to 18	100 to 450	70 : 1	70 : 1
Microsplines		Upto 400 : 1	

MAXIMUM RECOMMENDED VALVE BODY VELOCITY FOR LIQUID FLOWS

VALVE SIZE		VALVE BODY MATERIAL	
		CARBON STEEL	ALLOY STEEL
Ins	mm	m /s	m /s
1/2 to 2	15 to 50	12.5	14.0
3 to 6	80 to 150	10.4	10.4
8 to 14	200 to 350	8.0	8.0
16 and 18	400 and 450	7.0	7.0

MAXIMUM RECOMMENDED VALVE BODY VELOCITY FOR GAS/VAPOUR FLOWS

VALVE SIZE		MAXIMUM	MAXIMUM	MAXIMUM OUTLET MACH No. FOR		
		INLET VELOCITY	OUTLET VELOCITY	PREDICTED NOISE LEVEL		
Ins	mm	m /s	m /s	>95dba	<95dba	<85dba
1/2 to 2	15 to 50	105	253	0.65	0.5	0.3
3 and 4	80 and 100	90	253	0.65	0.5	0.3
6 and 8	150 to 200	85	253	0.65	0.5	0.3
10 to 14	250 to 350	68	253	0.65	0.5	0.3
16 and 18	400 and 450	60	253	0.65	0.5	0.3
LN- All Ratings 1 to 18	15 to 450	144	253	0.65	0.5	0.3

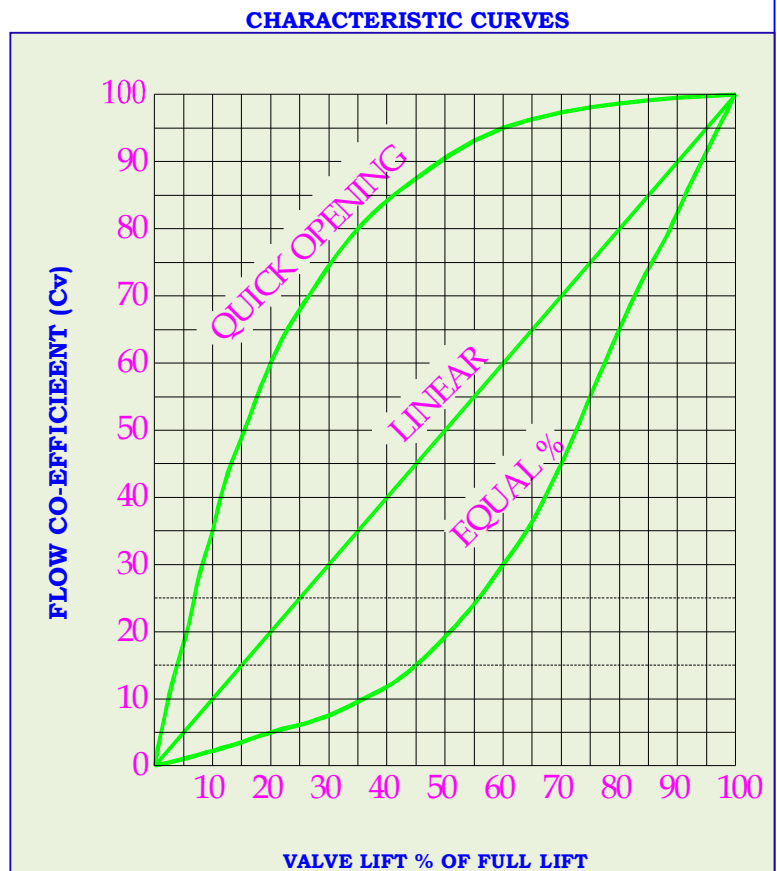
BUILT IN RELIABILITY

The Inherent flow characteristic of a control valve is the relationship between the flow and the lift of the plug at constant pressure drop. The characteristic normally available are shown as below.

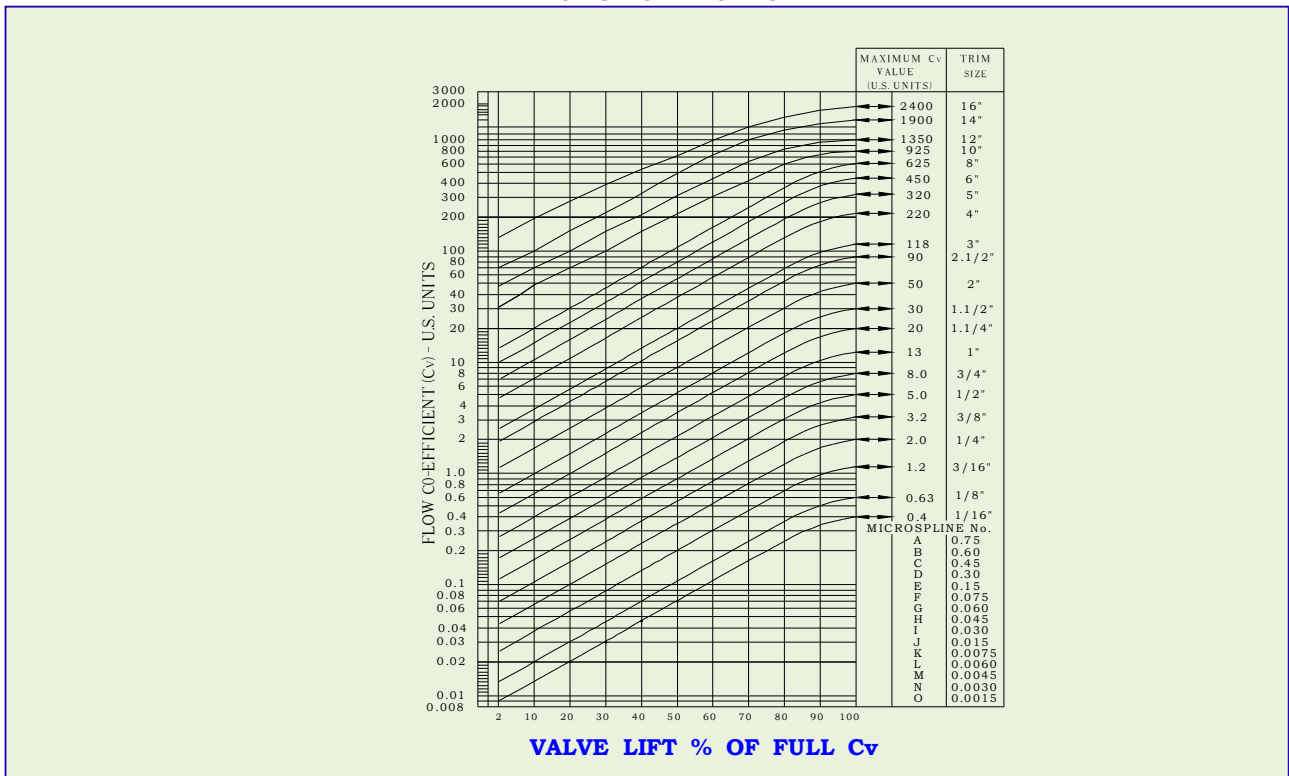
LINEAR:-Flow is directly proportional to valve lift.

EQUAL%:-Flow change by a constant percentage of its instantaneous value for each unit of valve lift.

QUICK OPENING:-Flow increases rapidly with initial travel reaching near its maximum at a low lift.



**VALVE FLOW CO-EFFICIENT / LIFT
RELATIONSHIP EQUAL % CONTOURED
TRIMS FOR SERIES 110**



VALVE SIZING CO-EFFICIENT Cv RATING- UPTO 150# TO 2500#

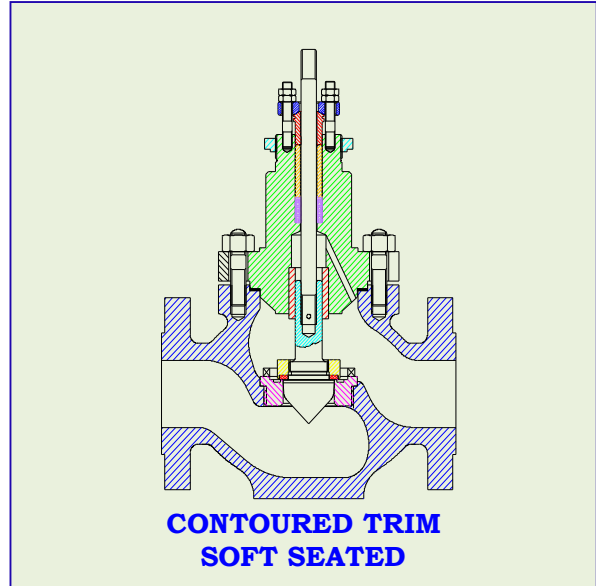
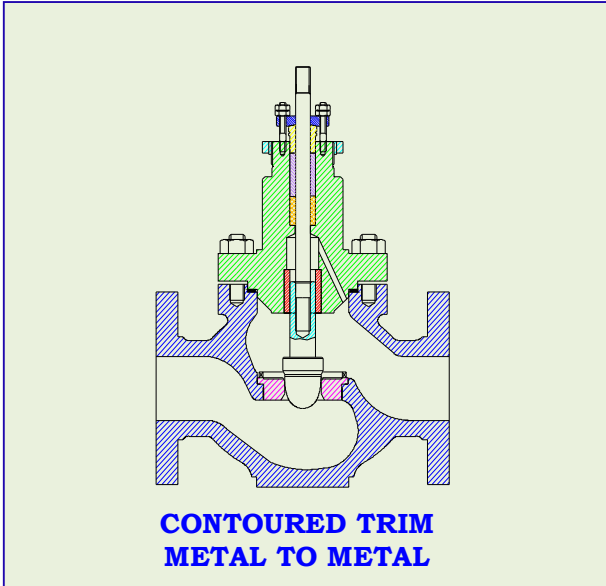
VALVE SIZE		TRIM SIZE		LOW NOISE TRIM (GAS)												
Ins	mm	Ins	mm	LN1			LN2			LN3			LN4			
				ANSI 150 TO 600	ANSI 900 TO 1500	ANSI 2500	ANSI 150 TO 600	ANSI 900 TO 1500	ANSI 2500	ANSI 150 TO 600	ANSI 900 TO 1500	ANSI 2500	ANSI 150 TO 600	ANSI 900 TO 1500	ANSI 2500	
1.1/2	40	1.1/2	40	28	26	--	--	--	--	--	--	--	--	--	--	--
		1.1/4	32	20	18	18	16	16	15	--	--	--	--	--	--	--
		1	25	14	13	13	12	12	11	10	10	10	--	--	--	--
		3/4	19	8	8	8	8	8	7	6	6	6	--	--	--	--
		1/2	15	5	5	5	5	5	4	3	3	3	--	--	--	--
2	50	2	50	42	40	--	--	--	--	--	--	--	--	--	--	--
		1.1/2	40	28	26	26	23	23	22	--	--	--	--	--	--	--
		1.1/4	32	20	18	18	16	16	15	15	15	15	--	--	--	--
		1	25	14	13	13	12	12	11	10	10	10	10	10	10	10
		3/4	19	8	8	8	8	8	7	6	6	6	6	6	6	6
3	80	3	80	88	83	--	--	--	--	--	--	--	--	--	--	--
		2.1/2	65	65	58	58	55	55	50	--	--	--	--	--	--	--
		2	50	42	40	40	40	40	38	36	36	36	--	--	--	--
		1.1/2	40	28	26	26	28	26	26	26	26	26	26	26	26	26
		1.1/4	32	20	18	18	20	18	18	18	18	18	18	18	18	18
4	100	4	100	132	--	--	--	--	--	--	--	--	--	--	--	--
		3	80	95	70	66	66	66	65	--	--	--	--	--	--	--
		2.1/2	65	58	58	55	55	50	52	52	50	--	--	--	--	--
		2	50	40	40	40	40	40	38	36	36	36	36	36	36	36
		1.1/2	40	26	26	28	28	26	26	26	26	26	26	26	26	26
6	150	6	150	310	290	--	--	--	--	--	--	--	--	--	--	--
		5	125	240	230	210	160	160	150	--	--	--	--	--	--	--
		4	100	170	170	170	120	120	120	120	120	120	--	--	--	--
		3	80	125	125	125	80	80	80	80	80	80	80	80	80	80
		2.1/2	65	100	100	90	60	60	60	60	60	60	60	60	60	60
8	200	8	200	450	425	--	--	--	--	--	--	--	--	--	--	--
		6	150	310	290	290	220	215	210	--	--	--	--	--	--	--
		5	125	240	230	210	160	160	150	150	150	150	--	--	--	--
		4	100	170	170	170	120	120	120	120	120	120	120	120	120	120
		3	80	125	125	125	80	80	80	80	80	80	80	80	80	80
10	250	10	250	850	790	--	--	--	--	--	--	--	--	--	--	--
		8	200	660	630	--	450	440	--	--	--	--	--	--	--	--
		6	150	470	450	--	320	320	--	300	300	--	--	--	--	--
		5	125	330	325	--	220	220	--	220	220	--	220	220	--	--
		4	100	240	240	--	160	160	--	160	160	--	160	160	--	--
12	300	12	300	1060	990	--	--	--	--	--	--	--	--	--	--	--
		10	250	850	790	--	590	--	--	--	--	--	--	--	--	--
		8	200	660	630	--	450	--	--	--	--	--	--	--	--	--
		6	150	470	450	--	320	--	--	--	300	--	--	300	300	--
		5	125	330	290	--	220	--	--	--	220	--	--	220	220	--
14	350	14	350	1390	--	--	--	--	--	--	--	--	--	--	--	--
		12	300	1060	--	--	780	--	--	--	--	--	--	--	--	--
		10	250	850	--	--	590	--	--	--	590	--	--	--	--	--
		8	200	660	--	--	450	--	--	--	420	--	--	420	--	--
		6	150	470	--	--	320	--	--	--	320	--	--	320	--	--
16	400	16	400	1680	--	--	--	--	--	--	--	--	--	--	--	--
		14	350	1390	--	--	930	--	--	--	--	--	--	--	--	--
		12	300	1060	--	--	780	--	--	--	710	--	--	--	--	--
		10	250	850	--	--	590	--	--	--	590	--	--	590	--	--
		8	200	660	--	--	450	--	--	--	450	--	--	450	--	--
18	450	18	450	2200	--	--	--	--	--	--	--	--	--	--	--	--
		16	400	1680	--	--	1300	--	--	--	--	--	--	--	--	--
		14	350	1390	--	--	930	--	--	--	1010	--	--	--	--	--
		12	300	1060	--	--	780	--	--	--	870	--	--	--	--	--
		10	250	850	--	--	590	--	--	--	710	--	--	590	--	--

BUILT IN RELIABILITY

VALVE SIZING CO-EFFICIENT C_v RATING- UPTO 150# TO 2500#

VALVE SIZE	TRIM SIZE	CONTOURED & V-PORT TRIM		LOW NOISE TRIM (LIQUID)											
				LN1			LN2			LN3			LN4		
				ANSI 150 TO 600	ANSI 900 TO 1500	ANSI 2500	ANSI 150 TO 600	ANSI 900 TO 1500	ANSI 2500	ANSI 150 TO 600	ANSI 900 TO 1500	ANSI 2500	ANSI 150 TO 600	ANSI 900 TO 1500	ANSI 2500
1.1/2	1.1/2	30	35	28	26	--	--	--	--	--	--	--	--	--	--
	1.1/4	20	20	20	18	18	16	15	14	--	--	--	--	--	--
	1	13	13	14	13	13	12	10	10	8	8	8	--	--	--
	40	3/4	--	--	8	8	8	8	6	6	5	5	5	--	--
2	1/2	5	5	5	5	5	5	3	3	3	3	3	--	--	--
	2	50	55	42	40	--	--	--	--	--	--	--	--	--	--
	1.1/2	30	35	28	26	26	22	22	20	--	--	--	--	--	--
	50	1.1/4	20	20	20	18	18	17	17	16	15	15	15	--	--
3	1	13	13	14	13	13	12	12	12	10	10	10	8	8	8
	3/4	--	--	8	8	8	8	8	7	5	5	5	5	5	5
	2	50	55	42	40	--	--	--	--	--	--	--	--	--	--
	80	3	118	125	88	83	--	--	--	--	--	--	--	--	--
4	2.1/2	90	95	65	58	58	50	50	47	--	--	--	--	--	--
	2	50	55	42	40	40	38	38	36	33	33	33	--	--	--
	1.1/2	30	35	28	26	26	28	26	26	25	25	24	22	22	22
	80	1.1/4	20	20	20	18	18	20	18	18	18	18	15	15	15
50	1	13	13	15	13	13	13	13	13	12	12	12	8	8	8
	3/4	--	--	8	8	8	8	8	7	5	5	5	5	5	5
	4	220	225	140	132	--	--	--	--	--	--	--	--	--	--
	100	3	118	125	10	95	70	61	60	58	--	--	--	--	--
6	2.1/2	90	95	65	58	58	50	50	47	45	44	43	--	--	--
	2	50	55	42	40	40	39	38	36	33	33	32	30	30	30
	1.1/2	30	35	28	26	26	28	26	26	25	25	24	22	22	22
	100	1.1/4	20	20	20	18	18	20	18	18	18	18	15	15	15
150	6	450	470	310	290	--	--	--	--	--	--	--	--	--	--
	5	320	335	240	230	210	150	150	140	--	--	--	--	--	--
	4	220	225	170	170	170	110	110	110	105	105	100	--	--	--
	150	3	118	125	125	125	80	80	80	75	75	72	65	65	65
200	2.1/2	90	95	100	100	90	55	55	50	45	45	43	42	42	42
	2	50	55	70	65	65	39	39	38	33	33	32	30	30	30
	8	625	700	450	425	--	--	--	--	--	--	--	--	--	--
	200	6	450	470	310	290	290	200	200	190	--	--	--	--	--
250	5	320	335	240	230	210	150	150	140	--	--	--	--	--	--
	4	220	225	170	170	170	110	110	110	105	105	100	--	--	--
	3	118	125	125	125	125	80	80	80	75	75	72	65	65	65
	250	2.1/2	90	95	100	100	90	55	55	50	45	45	43	42	42
300	2	50	55	70	65	65	39	39	38	33	33	32	30	30	30
	8	625	700	450	425	--	--	--	--	--	--	--	--	--	--
	200	6	450	470	310	290	290	200	200	190	--	--	--	--	--
	300	5	320	335	240	230	210	150	150	145	125	125	125	--	--
350	4	220	225	170	170	170	110	110	110	105	105	105	95	95	95
	3	118	125	125	125	125	80	80	80	75	75	72	65	65	65
	2.1/2	90	95	100	100	90	55	55	50	45	45	43	42	42	42
	350	2	50	55	70	65	65	39	39	38	33	33	32	30	30
400	10	925	930	850	790	--	--	--	--	--	--	--	--	--	--
	8	625	550	660	630	--	410	410	--	--	--	--	--	--	--
	6	450	470	470	450	--	300	300	--	250	250	--	--	--	--
	250	5	320	335	330	325	--	200	200	--	180	180	--	160	160
450	4	220	225	240	240	--	150	150	--	130	130	--	120	120	--
	3	118	125	170	150	--	110	110	--	105	105	--	90	90	--
	12	1350	1420	1060	990	--	--	--	--	--	--	--	--	--	--
	300	10	925	990	850	790	--	560	--	--	--	--	--	--	--
450	8	625	700	660	630	--	410	--	--	350	--	--	--	--	--
	6	450	470	470	450	--	300	300	--	250	250	--	--	--	--
	5	320	335	330	325	--	200	200	--	180	180	--	160	160	--
	450	4	220	225	240	240	--	150	150	--	130	130	--	120	120
450	3	118	125	170	150	--	110	110	--	105	105	--	90	90	--
	12	1350	1420	1060	990	--	--	--	--	--	--	--	--	--	--
	300	10	925	990	850	790	--	560	--	--	--	--	--	--	--
	400	8	625	700	660	630	--	410	--	--	350	--	--	220	220
450	6	450	470	470	450	--	300	300	--	250	250	--	--	--	--
	5	320	335	330	325	--	200	200	--	180	180	--	160	160	--
	4	220	225	240	240	--	150	150	--	130	130	--	120	120	--
	450	3	118	125	170	150	--	110	110	--	105	105	--	90	90
450	12	1350	1420	1060	990	--	--	--	--	--	--	--	--	--	--
	300	10	925	990	850	790	--	560	--	--	--	--	--	--	--
	400	8	625	700	660	630	--	410	--	--	350	--	--	220	220
	450	6	450	470	470	450	--	300	300	--	250	250	--	--	--
450	5	320	335	330	325	--	200	200	--	180	180	--	160	160	--
	4	220	225	240	240	--	150	150	--	130	130	--	120	120	--
	12	1350	1420	1060	990	--	--	--	--	--	--	--	--	--	--
	400	10	925	930	850	790	--	560	--	--	620	--	--	--	--
450	8	625	700	660	630	--	410	--	--	520	--	--	450	--	--
	6	450	470	470	450	--	300	300	--	350	--	--	320	--	--
	5	320	335	330	325	--	200	200	--	250	250	--	220	--	--
	450	4	220	225	240	240	--	150	150	--	130	130	--	120	120
450	3	118	125	170	150	--	110	110	--	105	105	--	90	90	--
	12	1350	1420	1060	990	--	--	--	--	--	--	--	--	--	--
	300	10	925	990	850	790	--	560	--	--	--	--	--	--	--
	400	8	625	700	660	630	--	410	--	--	520	--	--	450	--
450	6	450	470	470	450	--	300	300	--	350	--	--	320	--	--
	5	320	335	330	325	--	200	200	--	250	250	--	220	--	--
	4	220	225	240	240	--	150	150	--	130	130	--	120	120	--
	450	3	118	125	170	150	--	110	110	--	105	105	--	90	90
450	12	1350	1420	1060	990	--	--	--	--	--	--	--	--	--	--
	300	10	925	990	850	790	--	560	--	--	--	--	--	--	--
	400	8	625	700	660	630	--	410	--	--	520	--	--	450	--
	450	6	450	470	470	450	--	300	300	--	350	--	--	320	--
450	5	320	335	330	325	--	200	200	--	250	250	--	220	--	--
	4	220	225	240	240	--	150	150	--	130	130	--	120	120	--
	12	1350	1420	1060	990	--	--	--	--	--	--	--	--	--	--
	400	10	925	930	850	790	--	560	--	--	620	--	--	--	--
450	8	625	700	660	630	--	410	--	--	520	--	--	450	--	--
	6	450	470	470	450	--	300	300	--	350	--	--	320	--	--
	5	320	335	330	325	--	200	200	--	250	250	--	220		

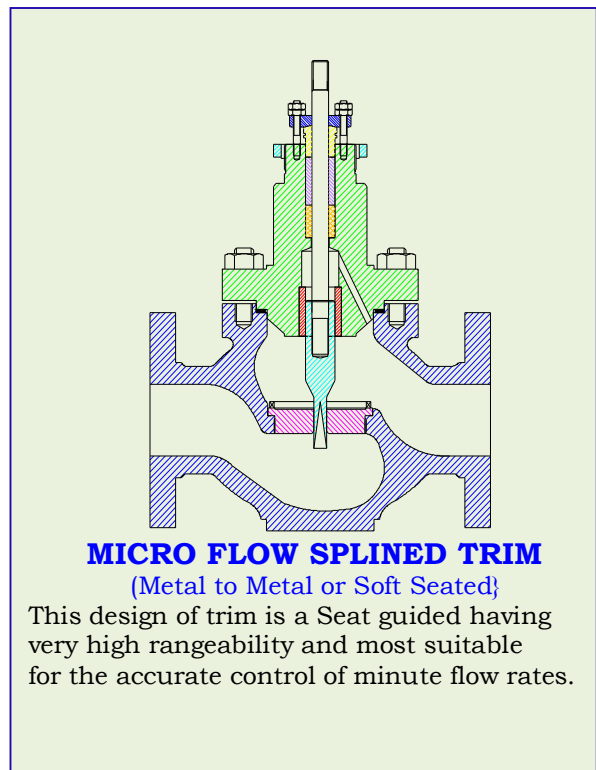
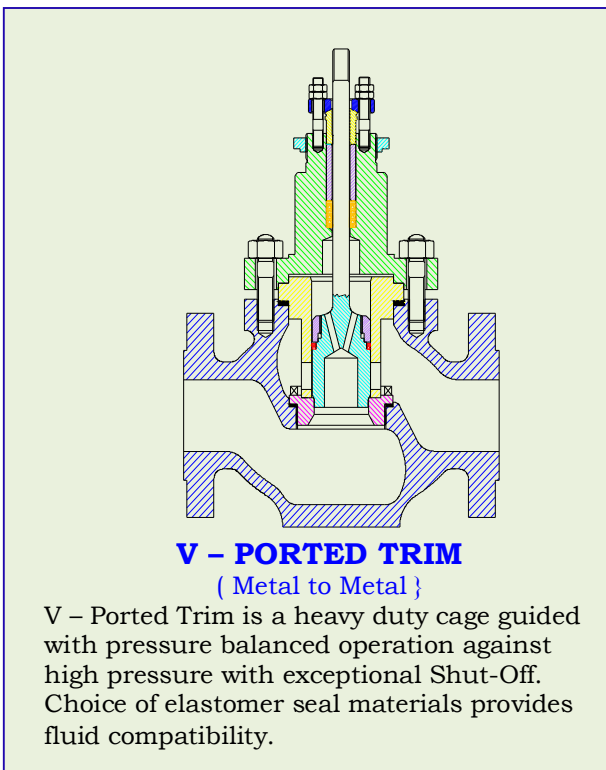
VALVE TRIMS : STANDARD RANGE

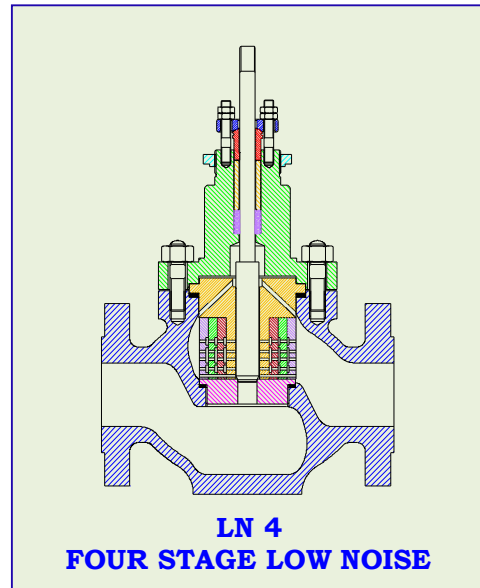
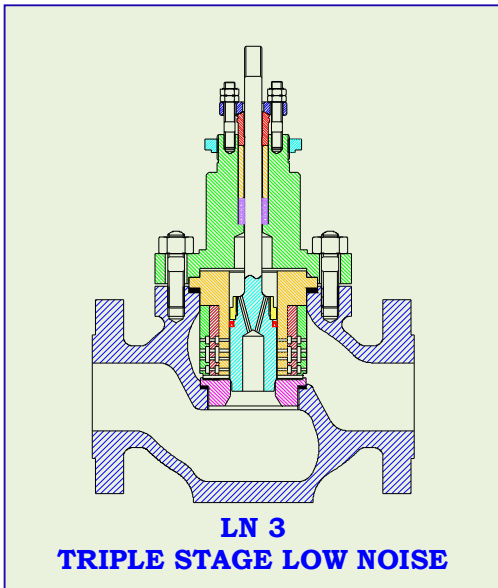
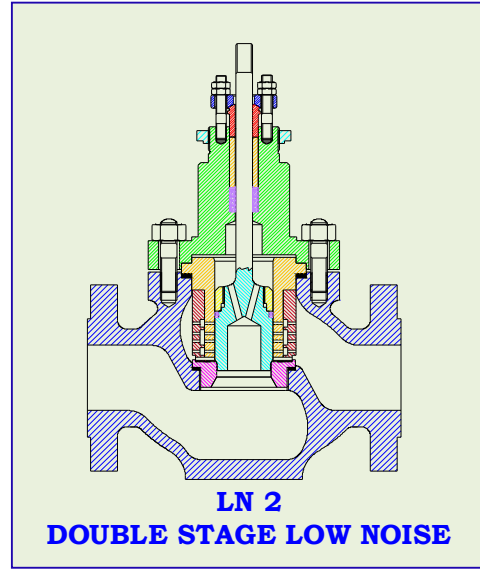
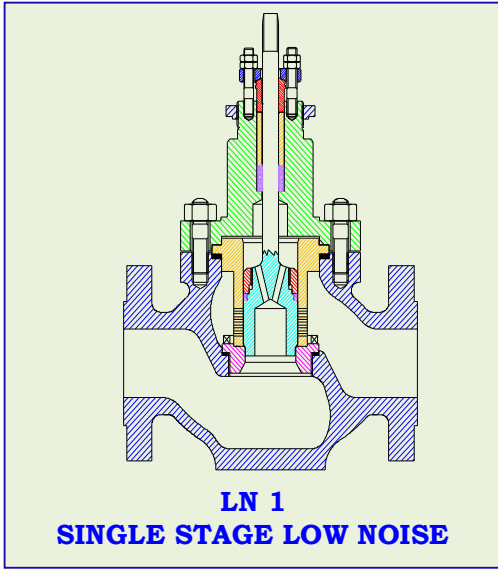


CONTOURED TRIM

(Metal to Metal & Soft Seated)

The Contoured Trim is the standard Top Guided top entry, which provides sure, economical Control for intermediate pressure drop service. A large diameter, precision machined plug and a pressed in, hardened guide bushing constitute the basic elements of a plug guidance system. Contoured trim available for both modulating duty and on/off duty. The contoured trim configuration available for both metal to metal contact and soft seat to metal contact to give leakage rate in accordance to FCI-70.02 class VI (ANSI B 16.104 class VI.)





LOW NOISE TRIM
(Metal to Metal)

Offer all the advantages of V-Ported trims and in addition features multiple drilled orifices of special size and spacing resulting in reduction of operating noise level contrasted to that generated by Conventional valve trims. The trim offers added advantage on liquid duty valves by preventing cavitation damages.

ACTUATOR SELECTION GUIDE

Valve Size	Inches	1				1.1/2" & 2				3				4				6 & 8				10 & 12			
	mm	25				40 & 50				80				100				150 & 200				250 & 300			
STD TRAVEL		1.1/8"/(28mm)								1.1/2"/(38mm)								2.1/2"/(57mm)				3.1/2"/(90mm)			
Trim Size	Inches	3/16	¼	⅜&½	¾&1	1	1¼	1½	2	2	2½	3	2½	3	4	4	5	6	8	6	8	10	12		
	mm	4.5	6	10&15	20&25	25	32	40	50	50	65	80	65	80	100	100	125	150	200	150	200	250	300		
Act. Size	Load	SHUTOFF PRESSURE (Kg / cm²) UPTO 600# (Flow Under The Plug)																							
	Kg/cm ²																								
030	0.2	UB	80	49	15	7.8																			
		B	N/A	N/A	N/A	N/A																			
	0.8	UB	380	249	79	42																			
		B	N/A	N/A	N/A	N/A																			
055	0.2	UB					12	7.5	4.5	2.5	1.2	0.5	0.4												
		B					N/A	21	21	19	3.5	1.4	0.1												
	0.8	UB					76	45	29	17	16	9	7												
		B					N/A	190	190	187	111	109	107												
095	0.2	UB					4.8	2.75	2	2	1.5	0.6													
		B					29	27	26	13	12	9													
	0.8	UB					30	18	13.5	17	13	6.3													
		B					215	213	212	142	141	138	71	70	68	65									
140	0.2	UB					9	5	4	4	3	1.5	1	0.75	0.3	0.1									
		B					59	56	55	33	32	29	10	9	7	4									
	0.8	UB					46	27.5	21	26	20	9.5	9	7	4	2.2									
		B					333	330	329	223	222	219	117	116	114	111	68	66	64	63					
300	0.2	UB					4	3	1.8	0.9	1.5	0.8	0.4	0.25											
		B					50	50	48	45	26.5	24	22	20											
	0.8	UB					22	17	10	5.3	9.7	5	2.8	2.1											
		B					280	280	278	275	173	171	169	167											

UB: ΔP VALUES FOR CONTOURED / V-PORTED UNBALANCED TRIM

B: ΔP VALUES FOR LOW NOISE / V-PORTED BALANCED TRIM

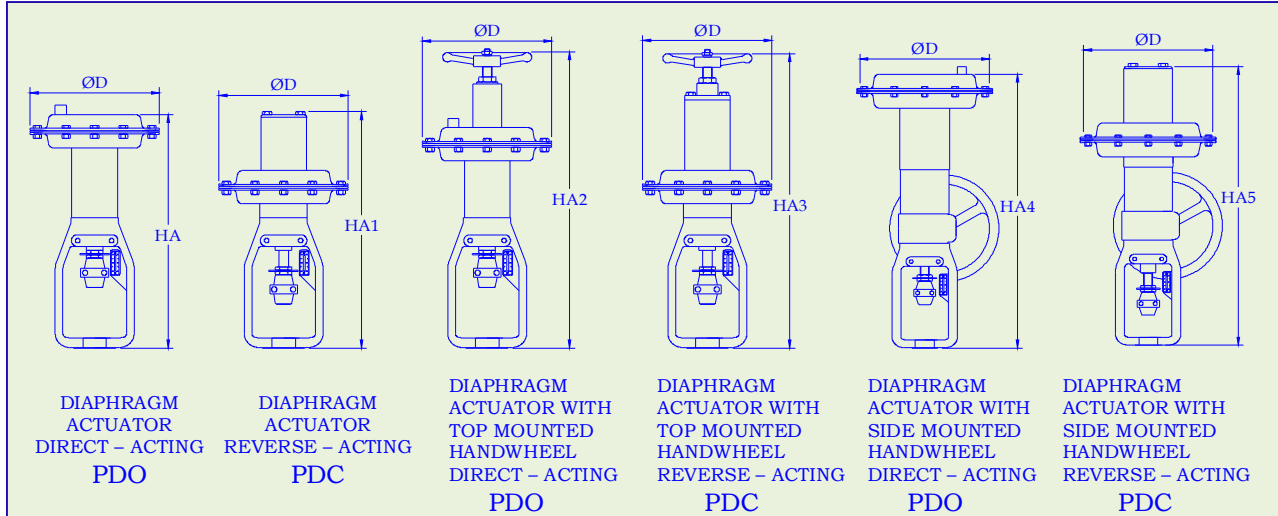
GUIDE TO BONNET AND GLAND PACKING SELECTION :

	RECOMMENDED SERVICE		NOT RECOMMENDED SERVICE
--	---------------------	--	-------------------------

PACKING MATERIAL	GRAFOIL	ALL SERVICES EXECPT STRONG OXIDIZERS. LUBRICATION IS NOT REQUIRED						
	PTFE CHEVRON	RESISTANCE TO MOST KNOWN CHEMICALS LUBRICANT NOT REQUIRED						
BONNET	STANDARD	COMMON SERVICE CONDITION						
	NORMALIZING (FINNED)			PROVIDES GLAND-PACKING PROTECTION IN ARDUOUS TEMPERATURE CONDITIONS				
	EXTENDED	CRYOGENIC						
		-200	-100	0	100	200	300	400

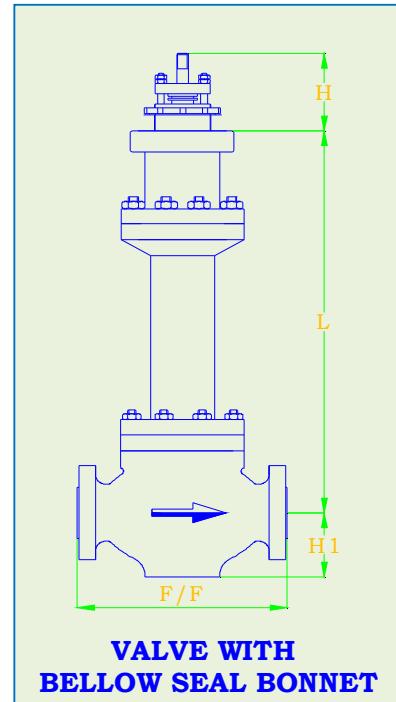
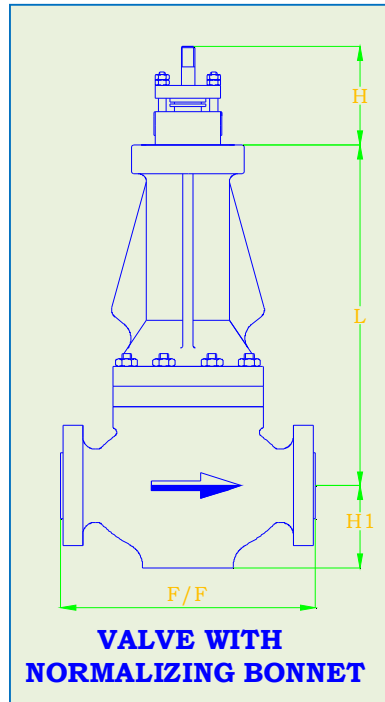
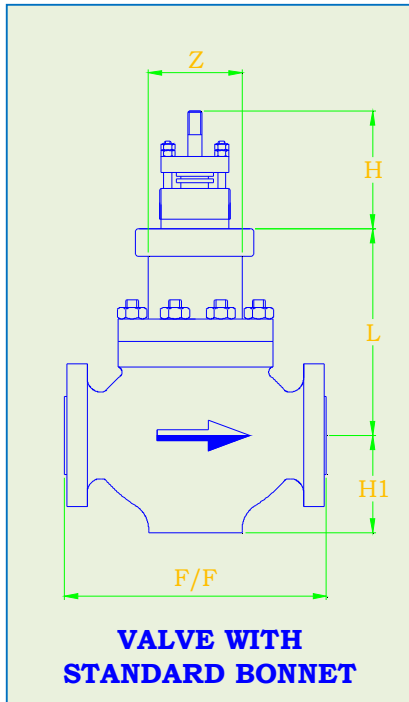
BUILT IN RELIABILITY

ACTUATOR DIMENSIONS



ACTUATOR MODEL	EFFECTIVE Inch ²	BONNET MOUNT DIA.	TRAVEL	ΦD	HA	HA1	HA2	HA3	HA4	HA5
PDC - 030	30	54	28	218	--	356	--	494	--	650
PDO - 030	30	54	28	218	372	--	529	--	650	--
PDC - 055	55	54	28	286	--	494	--	566	--	697
PDO - 055	55	54	28	286	471	--	678	--	673	--
PDC - 055	55	71.5	38	286	--	542	--	615	--	746
PDO - 055	55	71.5	38	286	520	--	727	--	722	--
PDC - 095	95	54	28	371	--	513	--	588	--	730
PDO - 095	95	54	28	371	505	--	711	--	707	--
PDC - 095	95	71.5	38	371	--	577	--	651	--	779
PDO - 095	95	71.5	38	371	555	--	760	--	756	--
PDC - 140	140	71.5	38	443	--	601	--	681	--	848
PDO - 140	140	71.5	38	443	573	--	852	--	821	--
PDC - 140	140	90.5	57	443	--	736	--	816	--	983
PDO - 140	140	90.5	57	443	708	--	988	--	956	--
PDC - 300	300	71.5	38	616	--	772	--	--	--	1098
PDO - 300	300	71.5	38	616	723	--	--	--	1075	--
PDC - 300	300	90.5	57	616	--	823	--	--	--	1149
PDO - 300	300	90.5	57	616	773	--	--	--	1075	--
PDC - 300	300	90.5	90	616	--	984	--	--	--	1312
PDO - 300	300	90.5	90	616	937	--	--	--	1239	--
PDC - 300	300	90.5	102	616	--	1030	--	--	--	1426
PDO - 300	300	90.5	102	616	1030	--	--	--	1550	--

- PDO - Direct Acting Actuator (used on supply failure Valve – Opens)
- PDC – Reverse Acting Actuator (used on supply failure Valve – Closes)
- All dimensions in mm.
- The Company’s policy is one of continuous product improvement and the right is reserved to modify the specifications contained herein without notice



VALVE SIZE		ANSI 150 (NP 10,16 BS-10- D,E)	ANSI 300 (NP 25,40 BS-10- F,H,J)	ANSI 600 (NP 64,100 BS-10- K,R)	STEM IN UP POSITIO N	BONNET MOUNT DIA	HEIGHT FROM CENTER LINE			CENTR LINE TO BASE			STEM TRAVEL
							STANDARD	NORMALI ZING	BELOW	ANSI 150#	ANSI 300#	ANSI 600#	
Inch	mm	FACE TO FACE (F/F)			H	Z	L			H1			
1/2	15	184	190	203	117	53.97	140	192	324	67	67	67	28
3/4	20	184	194	206	117	53.97	140	192	324	67	67	67	28
1	25	184	197	210	117	53.97	140	192	324	67	67	67	28
1.1/2	40	223	235	251	117	53.97	159	245	353	74	83	83	28
2	50	254	267	286	117	53.97	168	248	362	78	86	86	28
2.1/2	65	276	292	311	143	71.44	203	311	467	111	111	111	38
3	80	299	318	337	143	71.44	203	311	467	111	111	111	38
4	100	352	368	394	143	71.44	206	330	480	130	130	140	38
6	150	451	473	508	197	90.42	276	394	676	165	165	165	57
8	200	543	568	610	197	90.42	292	435	716	197	197	230	57
10	250	673	708	752	229	90.42	390	632	842	232	232	260	90
12	300	737	775	819	229	90.42	405	647	--	245	245	297	90
14	350	890	927	972	339	147.5	422	672	--	297	297	310	100
16	400	1016	1057	1108	244	147.5	543	745	--	343	343	353	100
18	450	1153	1194	1251	325	147.5	577	783	--	377	369	377	125

The Company's policy is one of continuous product improvement and the right is reserved to modify the specifications contained herein without notice.

ACAD/PVCT/PVCT - 110



Plot No: A-35, Road No. 10, Wagle Industrial Estate,
Thane - 400 604, India.

Phone: +9122 2583 8371, 2583 8372, Fax : +9122 2583 8373
E-Mail: info@pneuconvalves.com Web: www.pneuconvalves.com
IN TECHNICAL COLLABORATION WITH VALVE SOLUTIONS LTD. - U.K

BUILT IN RELIABILITY

PVCT-110 Designed By : Rajesh

